

**Photo**



**Product Information**


**Item Descriptions:** Concealed 3-functions bath & shower mixer with diverter, concealed parts & box included

**Model:** TR+

**Article No:** 830510.SNG

**Material:** Brass

**Brand:** TREDEX

**Finish:** The colour / finish may vary on actual  
Shiny Neural Gold\_SNG 

**Specifications:**

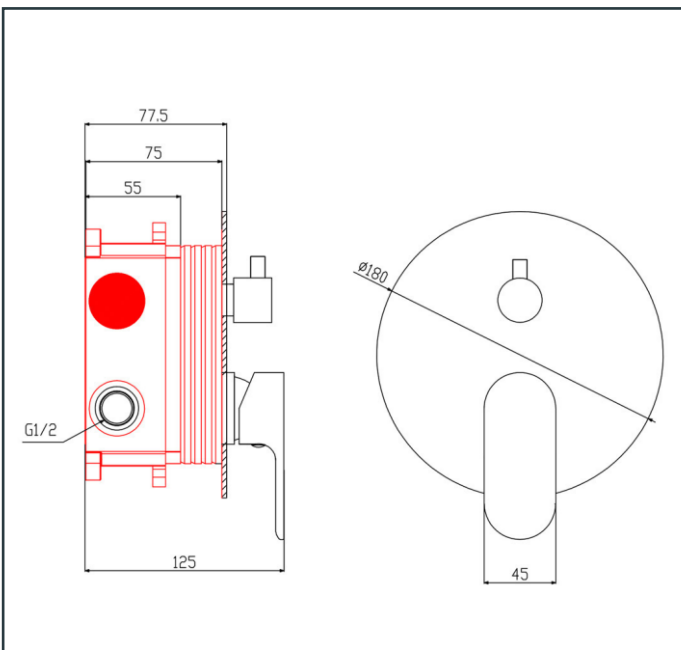
Concealed 3-functions bath & shower mixer. With diverter, concealed part & box included. With flowrate (at 3 bar) 23.10 l/min for shower, 23.40 l/min for bath, 24.10 l/min for spout.


Length: 180 mm


Width: 125 mm


Height: 180 mm


**TECHNICAL DRAWING**



 **Perma Shine**  
Durable, long lasting brilliant finish ensuring a high gloss, mirror-like shine.

 **ForeverEndurance**  
Completed an endurance test, surpassing half a million cycles.

 **Ex-Brass**  
Enhanced health protection resulting from minimal lead content.

 **PermaFinish**  
PVD brilliant and long-lasting finish